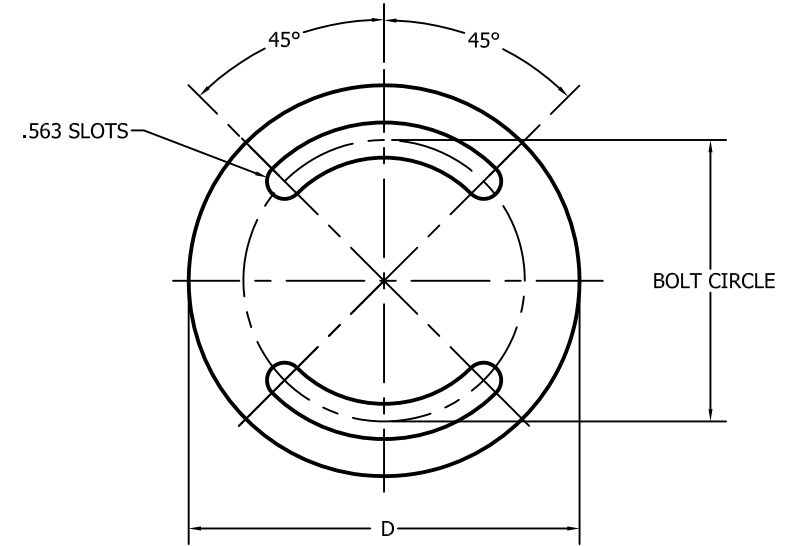
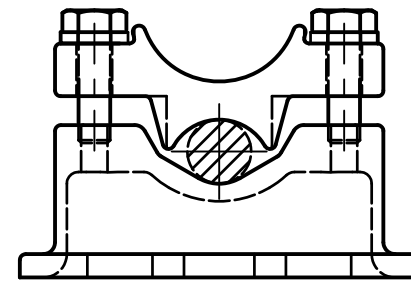
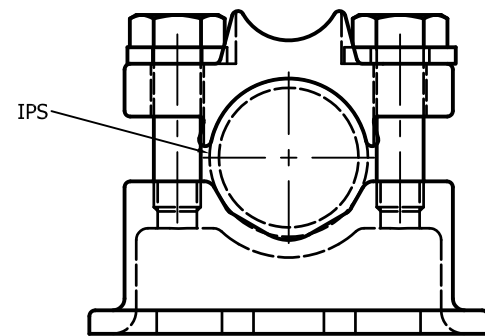
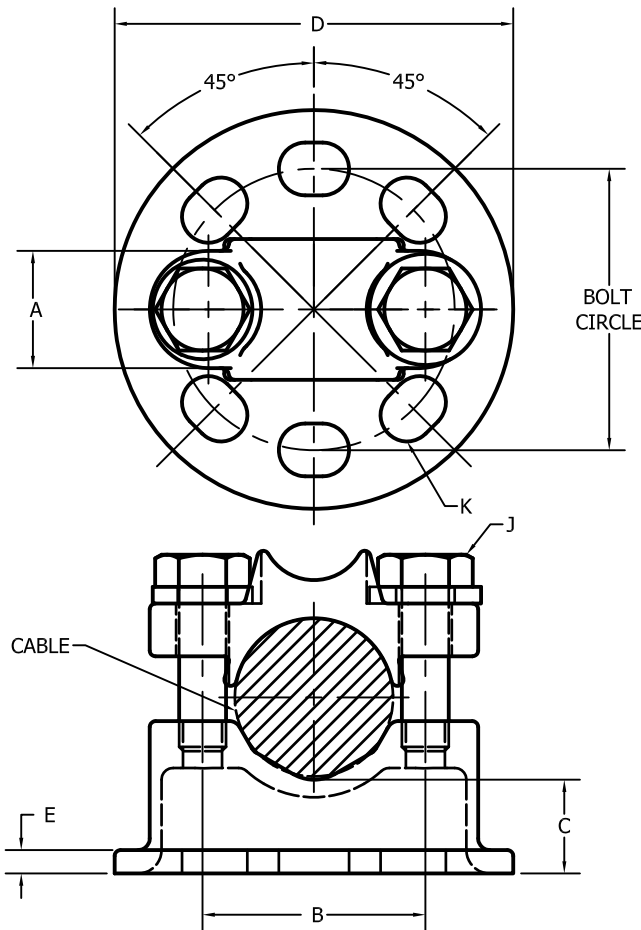


CATALOG NUMBER	CONDUCTOR SIZE			BOLT CIRCLE	DIMENSION IN INCHES						
	CABLE		IPS		A	B	C	D	E	J	K
	MIN.	MAX.									
ICA-025-3*	#8 (.129)	250 MCM (.575)	1/8 - 1/4	3.000	1.000	1.375	0.625	4.250	.250	.375	.563 X .750
ICA-100-3*	4/0 (.522)	1000 MCM (1.152)	1/4 - 3/4	3.000	1.000	1.875	1.000	4.250	.250	.375	.563 X .750
ICA-200-3	500 MCM (.814)	2000 MCM (1.650)	1/2 - 1 1/4	3.000	1.000	2.375	1.000	4.250	.250	.500	.563 X .750
ICA-300-3	1000 MCM (1.052)	3000 MCM (1.998)	1 - 2	3.000	1.250	3.125	1.250	4.250	.250	.500	.563 X .750
ICA-025-5	#8 (.129)	250 MCM (.575)	1/8 - 1/4	5.000	1.000	1.375	1.125	6.250	.250	.375	.688 X .875
ICA-100-5	4/0 (.522)	1000 MCM (1.152)	1/4 - 3/4	5.000	1.000	1.875	1.000	6.250	.250	.375	.688 X .875
ICA-200-5	500 MCM (.814)	2000 MCM (1.650)	1/2 - 1 1/4	5.000	1.250	2.375	1.000	6.250	.250	.500	.688 X .875
ICA-300-5	1000 MCM (1.052)	3000 MCM (1.998)	1 - 2	5.000	1.250	3.125	1.250	4.250	.250	.500	.688 X .875
ICA-025-3-CGE	**	**	**	3.000	1.000	1.375	.938	4.125	.250	.375	**
ICA-150-3	.398 - 1.545 DIA.		1/2 - 1	3.000	1.250	2.375	1.000	4.250	.250	.500	.563 X .750



\*\* ICA-025-3-CGE  
BASE CONFIGURATION



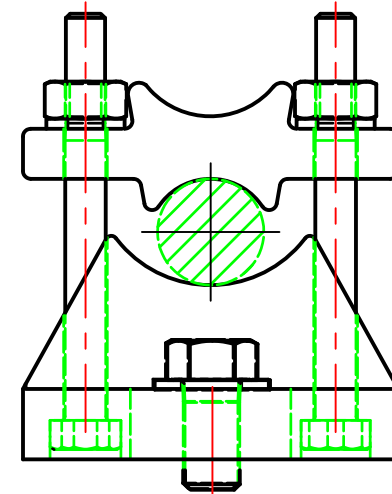
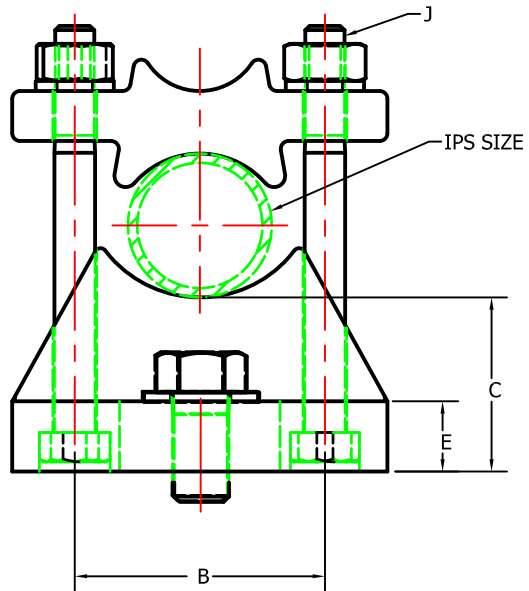
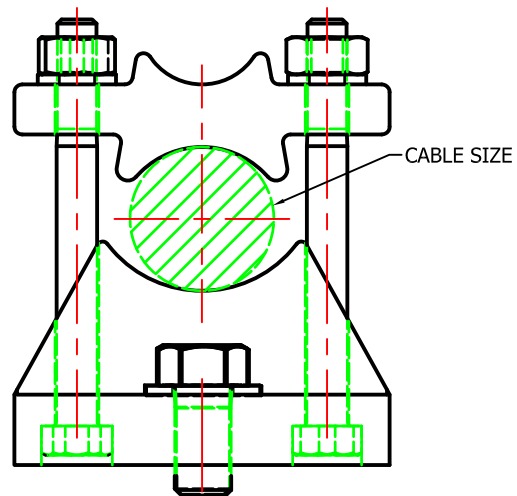
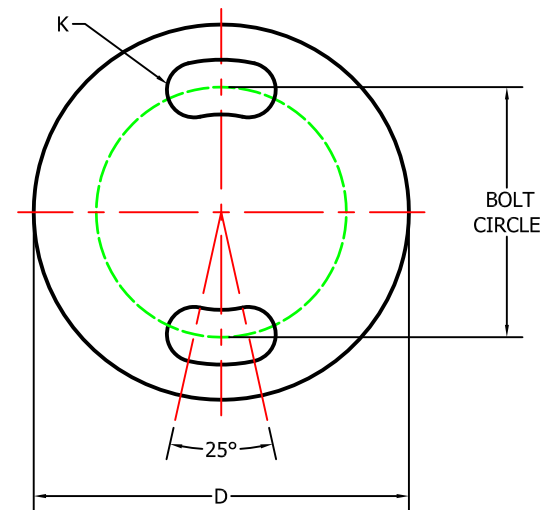
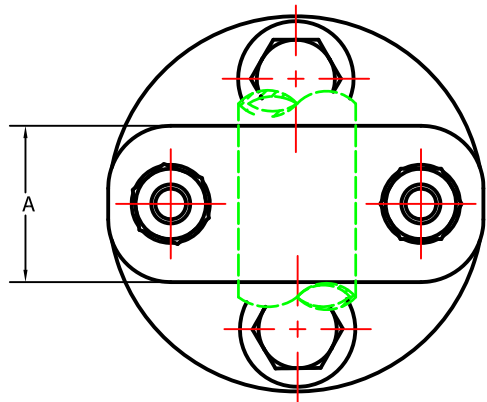
NOTES:

- BODY - 255 BRONZE ALLOY.  
CAP - 112 BRONZE ALLOY.
  - REGULARLY SUPPLIED WITH CAP SCREWS & LOCK WASHERS FOR MOUNTING TO CAP OF INSULATOR. WHEN MOUNTING TO BASE OF INSULATOR IS REQUIRED, ADD "B" TO CAT. NO. TO ASSURE OBTAINING BOLTS, NUTS & LOCK WASHERS. (EX: ICA-025-3-B)
  - TO OBTAIN SUPPORT IN ALUM. ADD "A" TO CAT. NO. EXP. - "AICA-100-3"
  - TO HAVE THE SUPPORT TIN PLATED ADD SUFFIX "TP". EX) ICA-100-3-TP
- \* ALSO AVAILABLE WITH Ø.500 BOLTS; SPECIFY CAT. NO. WITH "1/2" SUFFIX (EX: ICA-025-3-1/2)
- \*\* THIS ITEM WILL TAKE .188 O.D. TO .875 O.D. BUS AND IS FURNISHED WITHOUT BASE MOUNTING HARDWARE.

CASTING TOLERANCE CHART		
LESS THAN 2"	2"-6"	GREATER THAN 6"
±.031	±.047	±.063
ANGULAR TOLERANCE ± 1°		

71124	08/14/2017	AS	HG	HPS	<b>HUBBELL® POWER SYSTEMS</b>
EC #	DATE	CHG BY	RESP ENG		
DESC OF DWG: NEW PRODUCTION DRAWING CREATION				<small>CONFIDENTIAL: THIS DRAWING AND ITS CONTENTS ARE CONFIDENTIAL AND THE EXCLUSIVE PROPERTY OF HUBBELL POWER SYSTEMS. NO PUBLICATION, DISTRIBUTION OR COPIES MAY BE MADE WITHOUT THE WRITTEN CONSENT OF HUBBELL POWER SYSTEMS. HUBBELL POWER SYSTEMS UNPUBLISHED ALL RIGHTS RESERVED UNDER THE COPYRIGHT LAWS</small>	
REASON (S) FOR CHANGE: DISPOSITION OF MAT'L:				<b>TITLE</b> <b>BUS SUPPORT</b> CABLE OR I.P.S. TO INSULATOR 3" AND 5" DIA. BOLT CIRCLE	
SIZE <b>C</b>		DWG NO. <b>C-4107</b>		CAT / PART / ASSY NO. <b>ICA- (TABLE)</b>	
DO NOT SCALE THIS DRAWING		DRN BY WDS	DATE 1/21/55	REV <b>07</b>	
		SHEET 1 OF 2			

CATALOG NUMBER	CONDUCTOR SIZE I.P.S		BOLT CIRCLE	DIMENSION IN INCHES						
	CABLE	IPS		A	B	C	D	E	J	K
	MIN. - MAX.	MIN. - MAX.								
ICA-025-2	#8 - 250 MCM	1/8 - 1/4	2.000	1.000	1.063	1.000	3.000	.375	.375	.438 X .875
ICA-100-2	#4/0 - 1000 MCM	1/4 - 3/4	2.000	1.000	1.875	1.000	3.000	.375	.375	.438 X .875
ICA-200-2	500 MCM - 2000 MCM	1/2 - 1 1/4	2.000	1.000	2.250	1.000	3.000	.375	.375	.438 X .875
ICA-300-2	1000 MCM - 3000 MCM	1 - 2	2.000	1.250	3.000	1.250	3.000	.375	.375	.438 X .875



REF. REQUIRED #805

CASTING TOLERANCE CHART		
LESS THAN 2"	2"-6"	GREATER THAN 6"
±.031	±.047	±.063
ANGULAR TOLERANCE ± 1°		

NOTES:

- MATERIAL : BOTTOM - ELECTRICAL BRONZE ALLOY;  
MULTI-RANGE CAP- ELECTRICAL BRONZE ALLOY;  
CLAMPING HARDWARE - HIGH STRENGTH BRONZE;  
MOUNTING HARDWARE - GALVANIZED STEEL

71124	08/14/2017	AS	HG
EC #	DATE	CHG BY	RESP ENG
DESC OF DWG: NEW PRODUCTION DRAWING CREATION			
REASON (S) FOR CHANGE: DISPOSITION OF MAT'L:			

HPS

CONFIDENTIAL: THIS DRAWING AND ITS CONTACTS ARE CONFIDENTIAL AND THE EXCLUSIVE PROPERTY OF HUBBELL POWER SYSTEMS. NO PUBLICATION, DISTRIBUTION OR COPIES MAY BE MADE WITHOUT THE WRITTEN CONSENT OF HUBBELL POWER SYSTEMS. HUBBELL POWER SYSTEMS UNPUBLISHED ALL RIGHTS RESERVED UNDER THE COPYRIGHT LAWS

<b>HUBBELL® POWER SYSTEMS</b>			
<b>TITLE</b> <b>BUS SUPPORT</b> <b>TUBE OR CABLE TO 2" DIA. BOLT CIRCLE</b>			
SIZE	DWG NO.	CAT / PART / ASSY NO.	REV
C	C-4107	ICA-- (TABLE)	07
DO NOT SCALE THIS DRAWING	DRN BY	DATE	SHEET
	WDS	4/25/58	2 OF 2